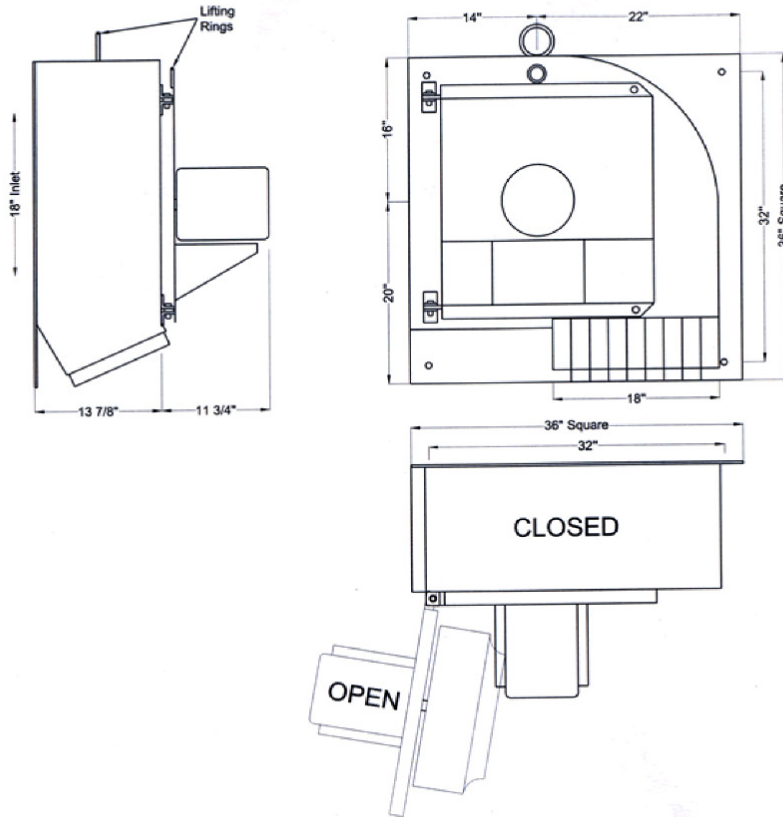


18" DIAMETER SWING-OUT BLOWER

Fan Dimensions:

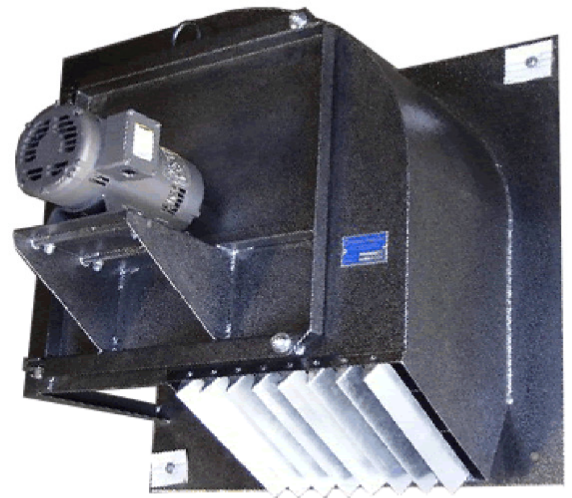


Fan Ratings:

Model #	SWB18P000HS
HP	1.5
Hertz	60
RPM	1160
Volts	230/460
Phase	3
CFM @ 0" W.G.	4,280
CFM @ 1/2" W.G.	3,810
CFM @ 1" W.G.	3,300
WT.-LBS.	313

Electrical Data:

Volts	230/460
AMP Nameplate	4.4/2.2
AMP Locked Rotor	34/17
AMP Power Factor	71.5



Housing: 14 gauge carbon steel, Polyester Powder Coat, Door only

Motor: IEEE-841 equivalent, 182T TEFC motor, ABEC-5 bearings, Inpro shaft seals on both ends, Cast iron frame, Sealed conduit box

Impeller: Backward Inclined, 18" diameter, 5" wide, Balanced to G 2.5

* Test Method: AMCA 210-99, fig. 12/ ISO 5801, fig. 71b, fan installation type A, free inlet and free outlet. Other impeller arrangements will affect the performance.

** Sound levels listed here were determined under laboratory conditions. Many factors can influence fan sound levels that are beyond the control of the propeller manufacturer or California Turbo, Inc, including inlet geometry and obstructions in the airflow. Please use this information for comparison purposes only.

NOTE: Electrical and noise data are supplied by the motor and propeller manufacturers, respectively. These values have not been independently verified by California Turbo, Inc. California Turbo, Inc. reserves the right to make product changes from time to time, without prior notification.

MHF005XPL

Call Sharpe Heating and Ventilating today for details and product offerings

Phone: (562) 695-5221 / Email: sharpe@dmghvac.com