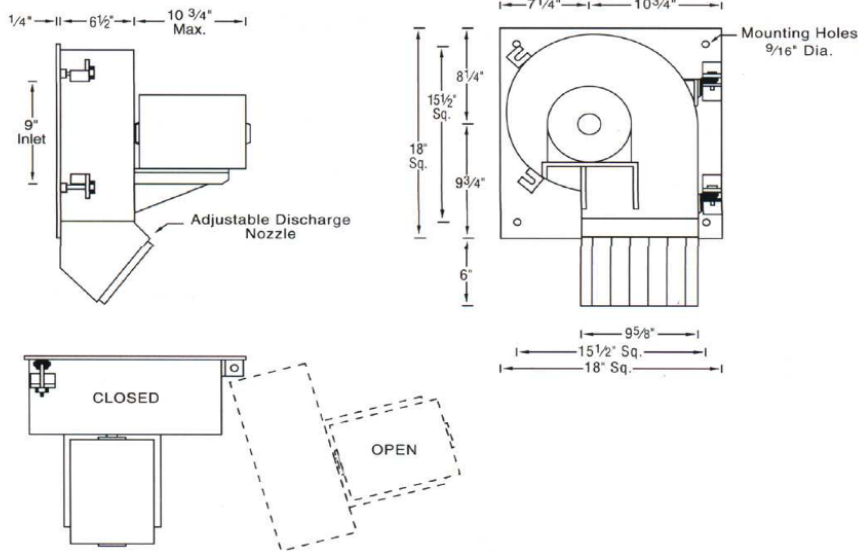


9" DIAMETER SWING-OUT BLOWER

Fan Dimensions:



Fan Ratings:

Model #	SWB09N000N
HP	1
Hertz	60
RPM	1735
Volts	208-230/460
Phase	3
CFM @ 0" W.G.	2,030
CFM @ 1/2" W.G.	1,880
CFM @ 1" W.G.	1,680
WT.-LBS.	98

Electrical Data:

	Volts	208-230/460
AMP	Nameplate	3.3-3/1.5
	Locked Rotor	30-27/13.5
	Power Factor	79

Housing: 14 guage carbon steel, hot dip galvanized
1/4" back plate
INCLUDES AIR DEFLECTOR

Motor: IEEE-841 equivalent, 143T TEFC motor,
ABEC-5 bearings, Inpro shaft seals on both
ends, Cast iron frame, Sealed conuit box

Impeller: Forward curved, 9" diameter, 4.5" wide,
Browning hub, Balanced to G 2.5



* Test Method: AMCA 210-99, fig. 12/ ISO 5801, fig. 71b, fan installation type A, free inlet and free outlet. Other impeller arrangements will affect the performance.

** Sound levels listed here were determined under laboratory conditions. Many factors can influence fan sound levels that are beyond the control of the propeller manufacturer or California Turbo, Inc; including inlet geometry and obstructions in the airflow. Please use this information for comparison purposes only.

NOTE: Electrical and noise data are supplied by the motor and propeller manufacturers, respectively. These values have not been independently verified by California Turbo, Inc. California Turbo, Inc. reserves the right to make product changes from time to time, without prior notification.

Call Sharpe Heating and Ventilating today for details and product offerings

Phone: (562) 695-5221 / Email: sharpe@dmghvac.com