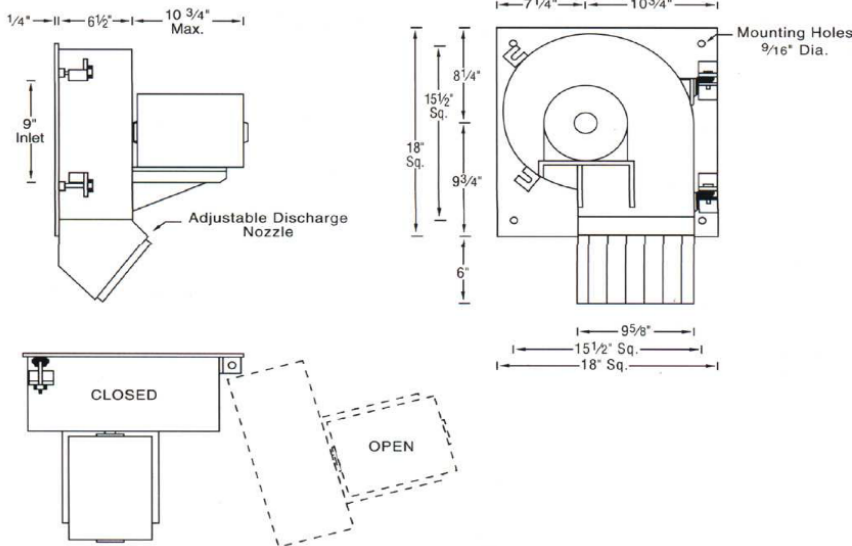


## 9" DIAMETER SWING-OUT BLOWER

### Fan Dimensions:



### Fan Ratings:

Model #	SWB09M000N
HP	1
Hertz	60
RPM	1725
Volts	115/208-230
Phase	1
CFM @ 0" W.G.	2,030
CFM @ 1/2" W.G.	1,880
CFM @ 1" W.G.	1,680
WT.-LBS.	85

### Electrical Data:

Volts	115/208-230
AMP Nameplate	12.8/6.6-6.4
Locked Rotor	58/32-29
Power Factor	63

**Housing:** 14 guage carbon steel, hot dip galvanized  
1/4" back plate  
*INCLUDES AIR DEFLECTOR*

**Motor:** Wash-down grade 143T motor, ABEC-5 bearings, Inpro shaft seals on both ends, Heavy gauge steel frame, Gasketed conuit box and capacitor cover

**Impeller:** Forward curved, 9" diameter, 4.5" wide, Browning hub, Balanced to G 2.5



\* Test Method: AMCA 210-99, fig. 12/ ISO 5801, fig. 71b, fan installation type A, free inlet and free outlet. Other impeller arrangements will affect the performance.

\*\* Sound levels listed here were determined under laboratory conditions. Many factors can influence fan sound levels that are beyond the control of the propeller manufacturer or California Turbo, Inc; including inlet geometry and obstructions in the airflow. Please use this information for comparison purposes only.

NOTE: Electrical and noise data are supplied by the motor and propeller manufacturers, respectively. These values have not been independently verified by California Turbo, Inc. California Turbo, Inc. reserves the right to make product changes from time to time, without prior notification.

Call Sharpe Heating and Ventilating today for details and product offerings

Phone: (562) 695-5221 / Email: [sharpe@dmghvac.com](mailto:sharpe@dmghvac.com)