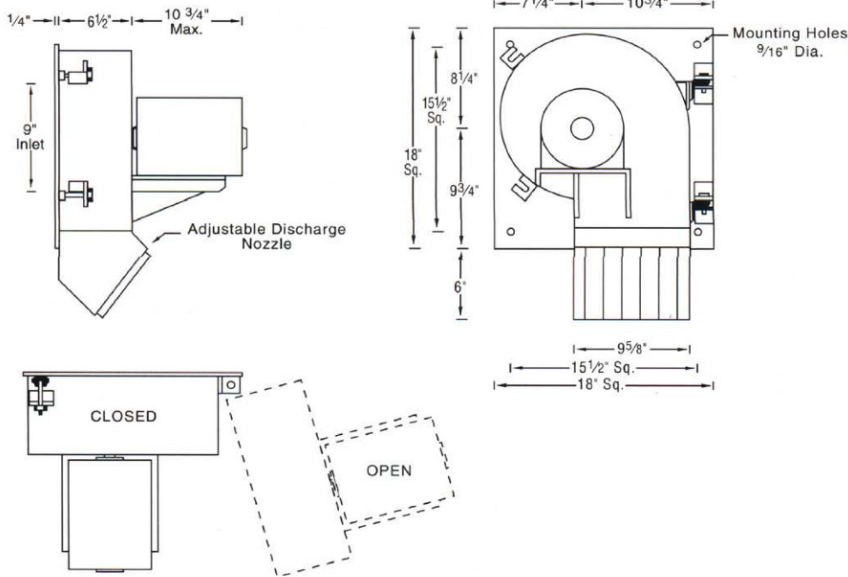


## 9" DIAMETER SWING-OUT BLOWER

### Fan Dimensions:



### Fan Ratings:

Model #	SWB09E115I
HP	1/4
Hertz	60
RPM	850
Volts	115
Phase	1
CFM @ 0" W.G.	1,360
CFM @ 1/4" W.G.	1,050
WT.-LBS.	85

### Electrical Data:

	Volts	115
AMP	Nameplate	6.90
	Locked Rotor	13.40

**Housing:** 14 gauge carbon steel, hot dip galvanized  
1/4" back plate  
Includes adjustable discharge nozzle

**Motor:** Open drip proof motor, heavy duty, Heavy gauge steel frame, Gasketed conuit box and capacitor cover

**Impeller:** Forward curved, 9" diameter, 4.5" wide, Browning hub



\* Test Method: AMCA 210-99, fig. 12/ ISO 5801, fig. 71b, fan installation type A, free inlet and free outlet. Other impeller arrangements will affect the performance.

NOTE: Electrical and noise data are supplied by the motor and propeller manufacturers, respectively. These values have not been independently verified by California Turbo, Inc. California Turbo, Inc. reserves the right to make product changes from time to time, without prior notification.

Call Sharpe Heating and Ventilating today for details and product offerings

Phone: (562) 695-5221 / Email: [sharpe@dmghvac.com](mailto:sharpe@dmghvac.com)