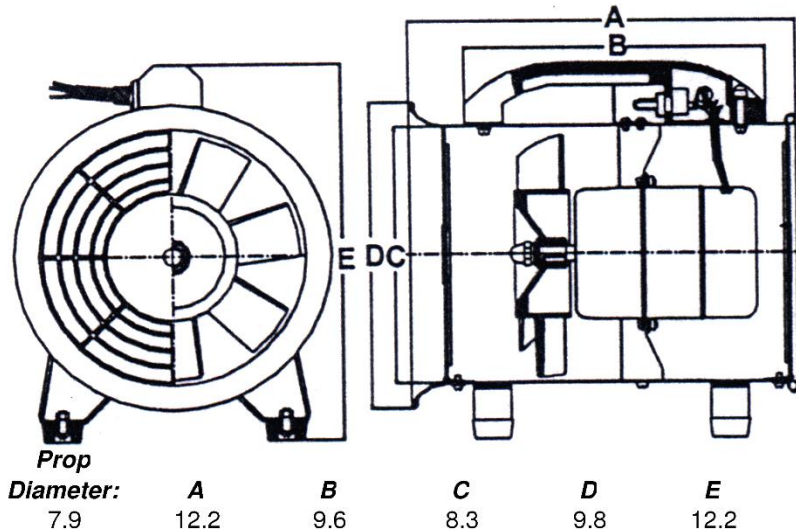




## 8" DIAMETER PORTABLE BLOWER

### Fan Dimensions:



### Fan Ratings:

|             |            |
|-------------|------------|
| Model #     | PCF08A115A |
| HP (kW)     | 1/6 (.124) |
| Hertz       | 60         |
| RPM         | 3300       |
| Volts       | 115        |
| Phase       | 1          |
| CFM*        | 750        |
| dbA** @ 6'  | 77         |
| dbA** @ 10' | 75         |
| WT.-LBS.    | 16.5       |

### Electrical Data:

|                   |      |
|-------------------|------|
| Volts             | 115  |
| Running Amps      | 1.80 |
| Locked Rotor Amps | 5.10 |

- Guard:** Bright Plated Steel, Inlet and Outlet, All openings less than 0.50"
- Motor:** Totally enclosed, Capacitor start Weatherproof switch in handle
- Housing:** Heavy gage welded steel, High impact comfort grip handle, Bright yellow powder coated
- Propeller:** 6 Blades, die-cast aluminum, with a airfoil design, clockwise rotation as viewed from the motor side.



\* Test Method: AMCA 210-99, fig. 12/ ISO 5801, fig. 71b, fan installation type A, free inlet and free outlet. Other impeller arrangements will affect the performance.

\*\* Sound levels listed here were determined under laboratory conditions. Many factors can influence fan sound levels that are beyond the control of the propeller manufacturer or California Turbo, Inc: including inlet geometry and obstructions in the airflow. Please use this information for comparison purposes only.

NOTE: Electrical and noise data are supplied by the motor and propeller manufacturers, respectively. These values have not been independently verified by California Turbo, Inc. California Turbo, Inc. reserves the right to make product changes from time to time, without prior notification.

Call Sharpe Heating and Ventilating today for details and product offerings

Phone: (562) 695-5221 / Email: [sharpe@dmghvac.com](mailto:sharpe@dmghvac.com)